

# cuplex kryos NEXT

## Operating and assembly manual

### 1. Preparation

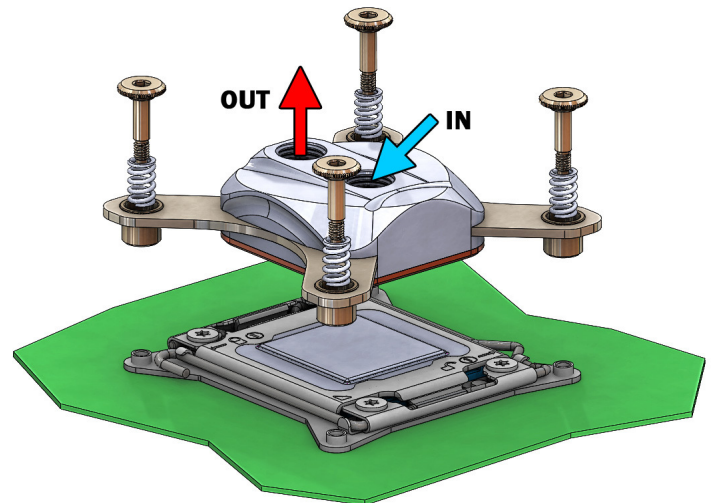
Back up your data before modifying your hardware! Disconnect your PC from the mains power outlet. To prevent damaging the sensitive hardware components, make sure to ground your workplace and yourself to prevent electrostatic discharges.

When upgrading an existing PC setup, remove the installed heat sink from the CPU. Refer to the instruction manual of the CPU cooler for details. Remove thermal grease residues from the CPU surface using benzine if necessary.

Place a small drop (diameter ca. 4 mm or 0.15 inch) of thermal grease supplied with the cuplex kryos NEXT centrally on the CPU. Alternatively, you can apply a thin layer of the thermal grease using the supplied plastic spatula.

#### 2.1. Instructions for Socket 2066, 2011-3, 2011, AM4, AM5, TR4, sTRX4, sTR5, SP6

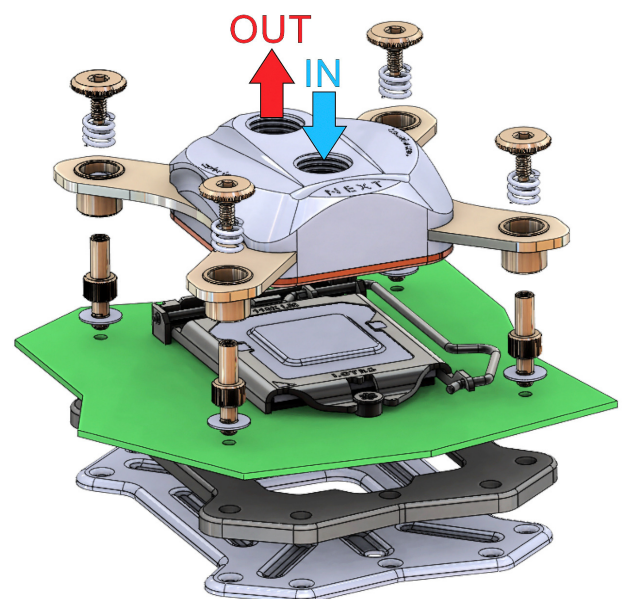
Place the cuplex kryos NEXT on top of the thermal grease covered CPU, observing the orientation as shown in the picture. Place on spring into each recess and insert a knurled screw through each spring into the anchor threads of the CPU socket (only one or two revolutions). Alternately fasten each screw a fraction of a revolution until all four screws are fully fastened.



#### 2.2. Instructions for Socket 1150, 1151, 1155, 1156, 1200, 1700, 1851

Arrange back plate and black insulation mat below the processor socket as shown in the picture. Slide one plastic washer onto the outer thread of each retention bolt and screw the bolts through the four mounting holes of the motherboard into the back plate. For easy installation, the retention bolts can be screwed in by hand or with a hexagon socket wrench.

Place the cuplex kryos NEXT on top of the thermal grease covered CPU, observing the orientation as shown in the picture. Slide one of the four supplied springs onto each bolt and secure each spring using one of the knurled head screws (only one or two revolutions). Alternately fasten each screw a fraction of a revolution until all four screws are fully fastened.



### 3. Integration into a water cooling system and flow direction

Integrate the cuplex kryos NEXT into a water cooling system of sufficient performance. For best cooling performance, the coolant must be supplied through the fitting close to the center of the cuplex kryos NEXT. The coolant return line must be connected to the lateral connector (next to the "NEXT" engraving and electrical connectors). Reversed flow direction significantly decreases cooling performance.

### 4. RGBpx illumination

Optional: Connect the integrated RGBpx illumination module (connector to the left above the character "N" of the engraving "NEXT", on the side of the water block) to a compatible RGBpx output of an Aqua Computer device. A suitable cable is included in delivery. If required, additional RGBpx components can be connected to the adjacent connector (daisy chain).

Compatible products with RGBpx output:

- D5 NEXT (41118)
- farbwerk 360 (53279)
- farbwerk nano (53280, 53281)
- OCTO (53286)
- QUADRO (53256)

An adapter for common motherboard connectors for addressable LEDs can be bought separately, product code 53285.

### 5. Initial operation and approved coolants

Put the water cooling system into operation, but do not connect any other PC components to the mains supply! Check the cuplex kryos NEXT as well as the fittings for leakages and do not put your PC into operation unless you can definitively eliminate the possibility of coolant leaking from the system! If any component has been in contact with coolant, do not put it into operation before it is completely dry again! For operating the PC, the cuplex kryos NEXT must be correctly mounted and be connected to a water cooling system featuring adequate cooling performance! For corrosion inhibition, "Double Protect Ultra" must be used as coolant!

#### ATTENTION:

**Disregarding the instructions may lead to severe damages! Aqua Computer GmbH & Co. KG cannot be held liable for damages or injuries resulting from improper installation or use of the product!**

Thank you for choosing an aqua computer product.